

Create the most alluring shade in the world.

INNOVATIONS
'20

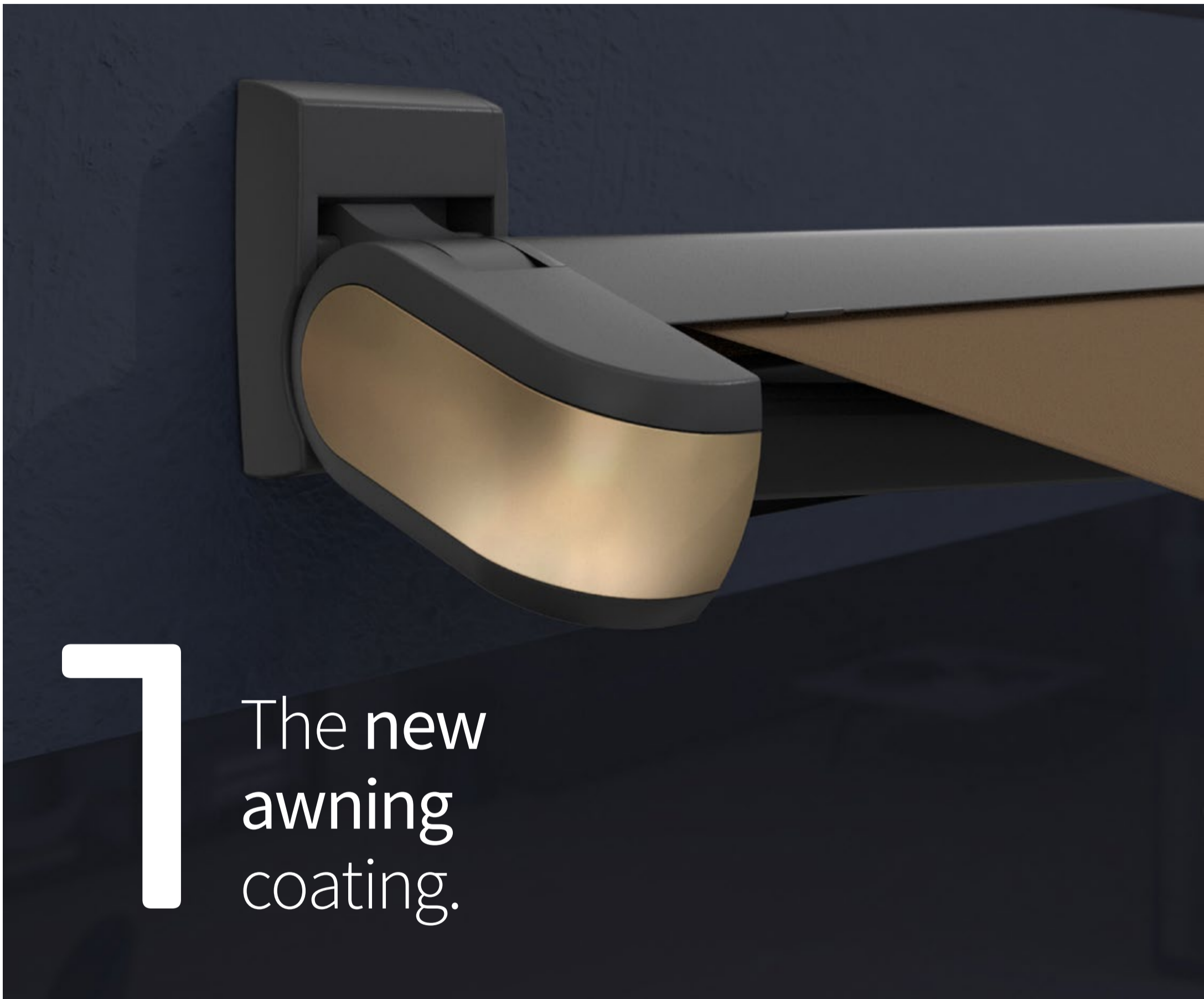


INNOVATIONS

2020

Feels like holiday. **Every day.**

The new markilux products 2020. Made in Germany.



1 The new awning coating.

markilux MX-3: choose your own combination of frame colour, front panel and cover pattern.



SELECTION MX

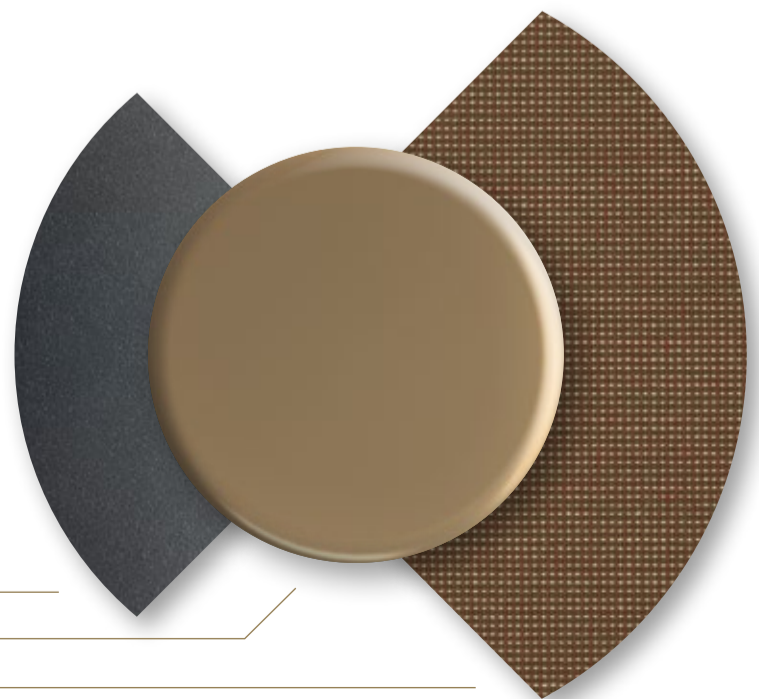
EXCLUSIVE COATING

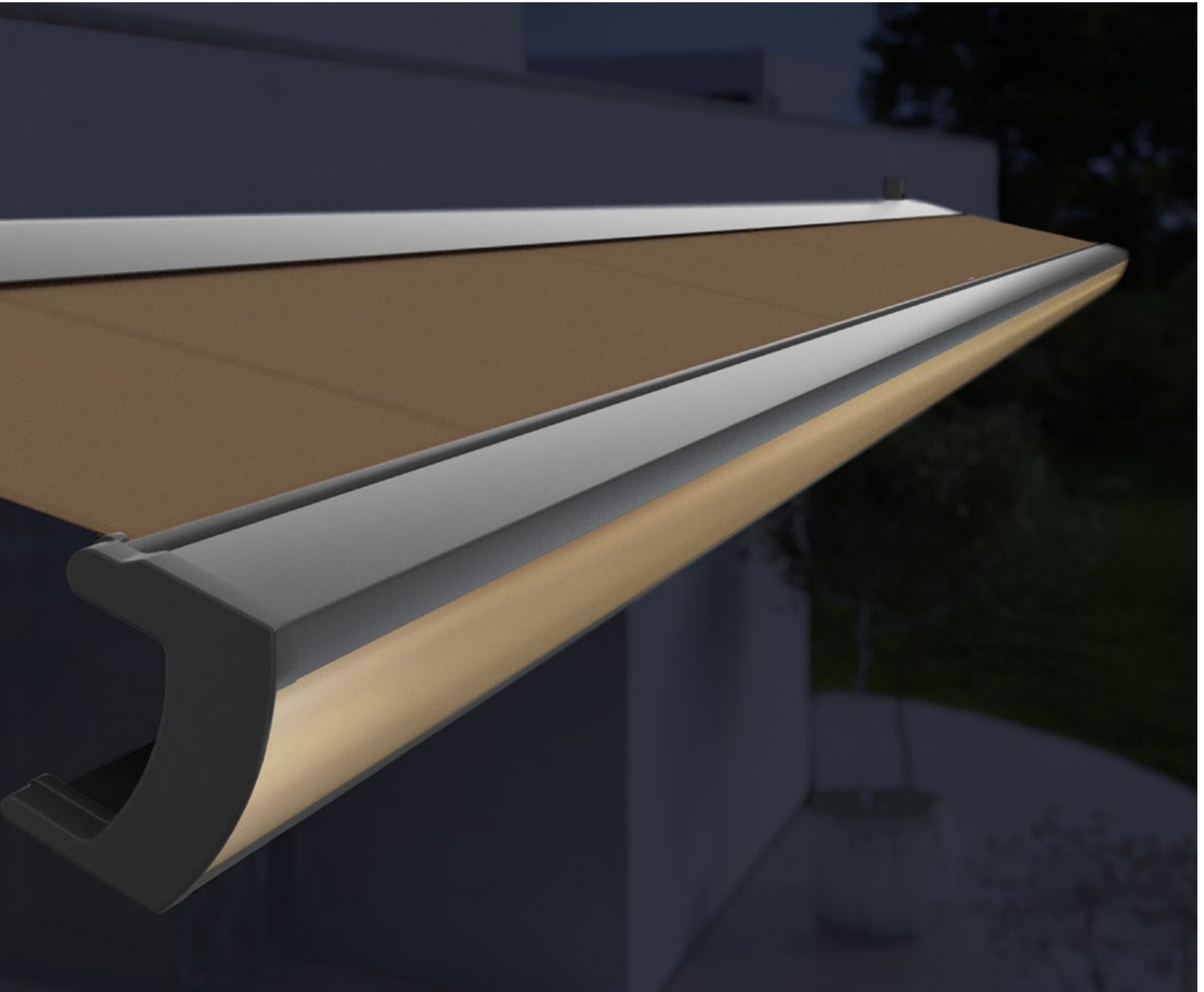
Sample combination,
feel free to select your own combination

Frame colour 5204 anthracite metallic

Front panel SMX-08 Pebble beige

Cover pattern 309 57 sunvas





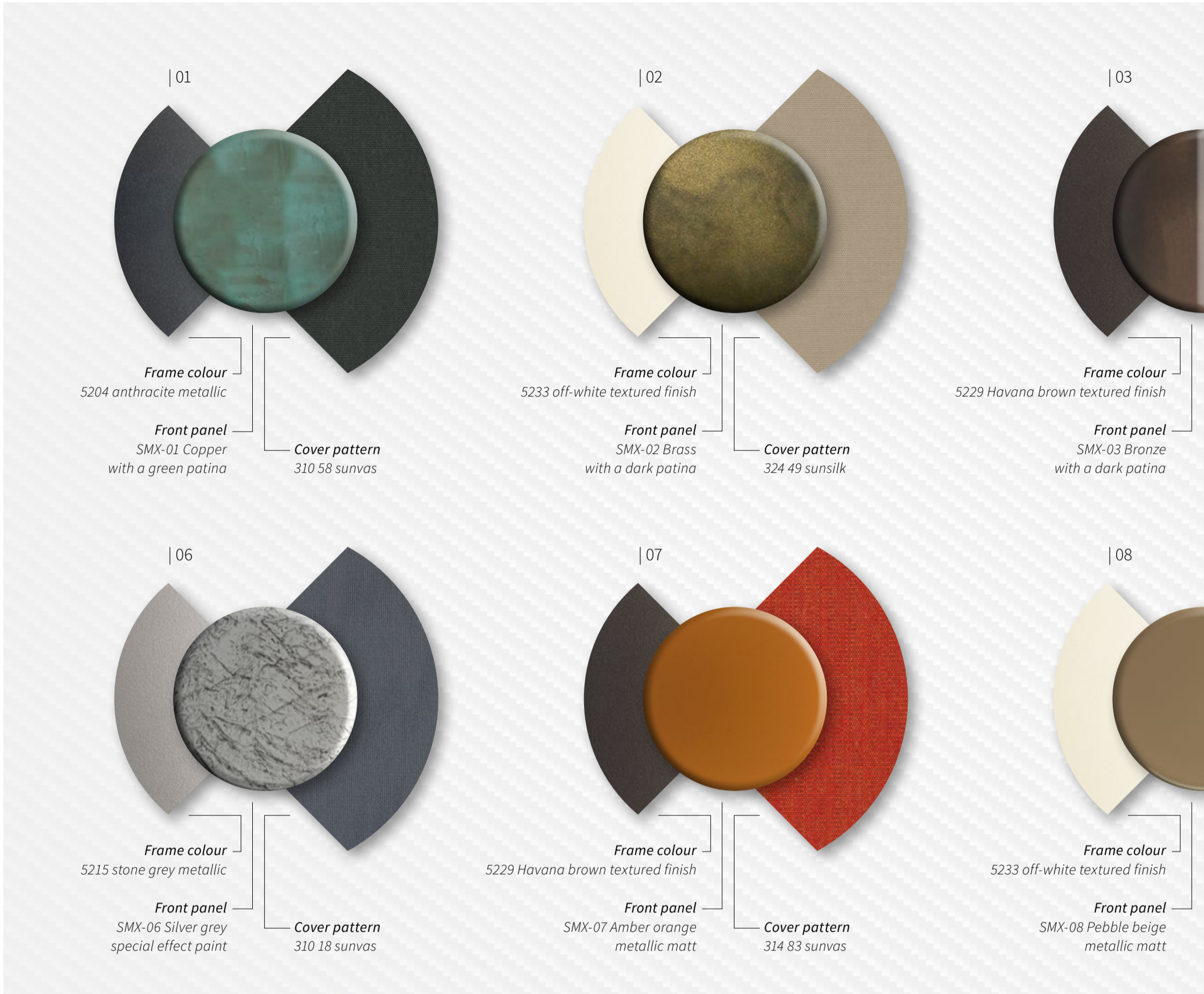
markilux – Selection MX

Front panel with innovative exclusive coating Selection MX

markilux designer awnings: as unique as you are. Perfect look in unique colour combinations and innovative surface coatings. Ideal for outstanding architecture and patio and garden design.

When the special turns into something very personal: Selection MX – the new awning surface coating.

- + Completely new in the awning sector
- + High degree of individualisation
- + 10 elegant colour combinations and innovative surface coatings
- + Coatings with trendy metallic colours, metal and special effect paints
- + Choose your own personal combination
- + Available for the markilux models MX-3, MX-1 and MX-1 compact



The exclusive way of being distinctive.



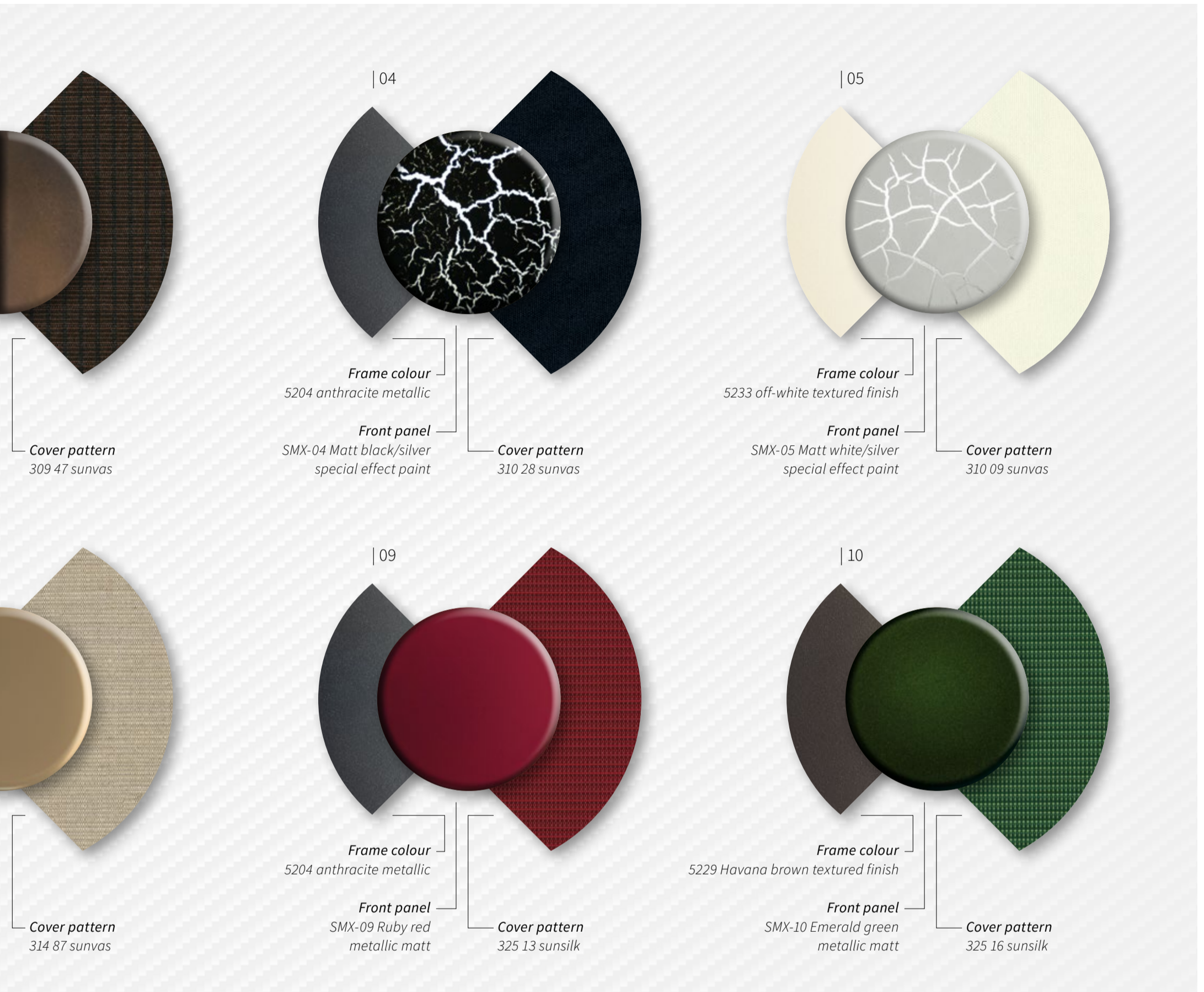
SELECTION MX

EXCLUSIVE COATING

Unique to the core

The basic Selection MX range consists of 10 elegant colour combinations. Displayed and explained clearly in the Selection MX sample book.

On request, the 10 surface coatings can be combined at will with all markilux frame colours and awning cover patterns from the entire markilux range.



Example illustrations. Every front panel in the exclusive coating Selection MX is unique. Variations in both colour hue and colour texture are possible. Please ask your specialist dealer for more detailed advice.



The Selection MX sample book
The exceptional exclusively presented.



markilux MX-1 / MX-1 compact
Front panel with exclusive coating, frame colour and cover pattern can be combined at will.



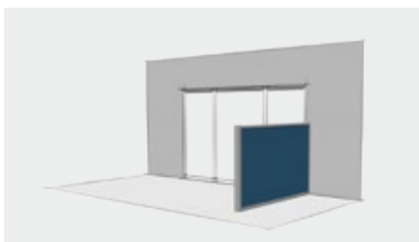
A wonderful
feeling.

markilux format

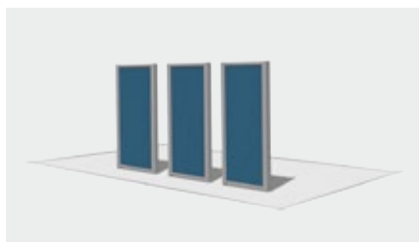
Perfect for outdoor areas

You can build walls to protect yourself from prying eyes – or you can create your very own personal space in the open air with its own textile cosiness. The markilux format puts a world of possibilities at your fingertips – and more than 250 fabric patterns at your disposal.

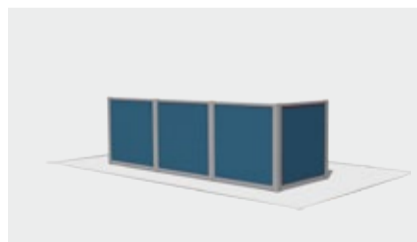
- + Modular wind protection and added privacy with a textile character
- + Basic frame between posts – to demarcate the patio, integrated into a markilux awning system or as a stand-alone solution in the open air
- + All-round tensioning system for optimum cover fit
- + Individual units up to 300 × 250 cm (w × h), can be coupled and, if desired, can be moved as slide elements in the awning system, unit width up to 130 × 250 cm (w × h)
- + Triangular solutions for the markilux pergola and construct up to 600 × 150 cm (w × h)



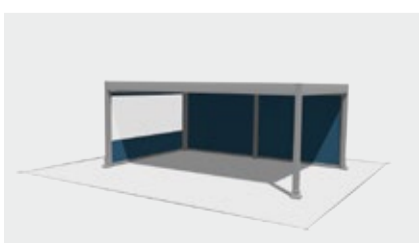
Patio demarcation



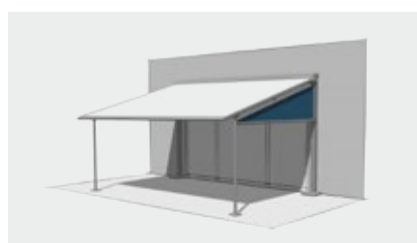
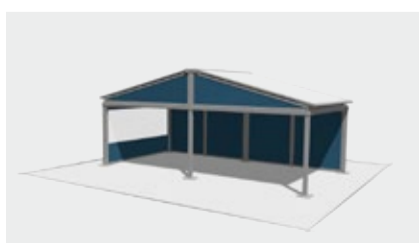
Stand-alone solution outdoors



Modular application



Vertical and triangular solutions for markilux awning systems





Beaming with joy.
In the evening, too.

Integrated LED Line in the cassette

The new light in the awning sky for the best spot under the sun – even in the evening.



LED Spots in the cassette

Dazzlingly beautiful, cosy and now in the markilux MX-1 compact.



LED Spots under the cassette or in the front profile

Evening is the time for those little highlights.



Integrated lighting solutions

Pleasant lighting creates an emotional atmosphere

The right lighting on a patio ensures cosiness and invites you to linger in your second living room. Evenings outdoors turn into an event held in a special atmosphere. The functional lighting solutions from markilux, integrated into the awning, ensure the desired light mood: bright, cosy and emotional. Integrated lighting solutions from markilux ensure bright enthusiasm, even in the evening.

- LED Line in the cassette
- LED Spots under the cassette or in the front profile
- Lit-up front panels in the markilux MX-1 / MX-1 compact
- Dimmable by remote control
- markilux lighting options are possible depending on the model

Mobile snugness.



+

Infrared halogen lamp with "No Glare" heating tube technology ensuring low glare and a pleasant light temperature

+ Operation using integrated switch

+ For outdoors

+ Aluminium housing in the 7 markilux standard colours

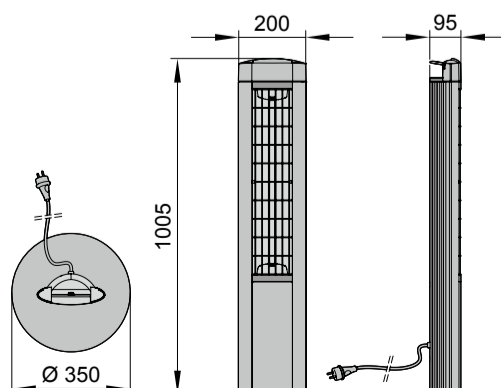
Mobile floor-mounted device for flat surfaces

markilux stand-alone infrared heater

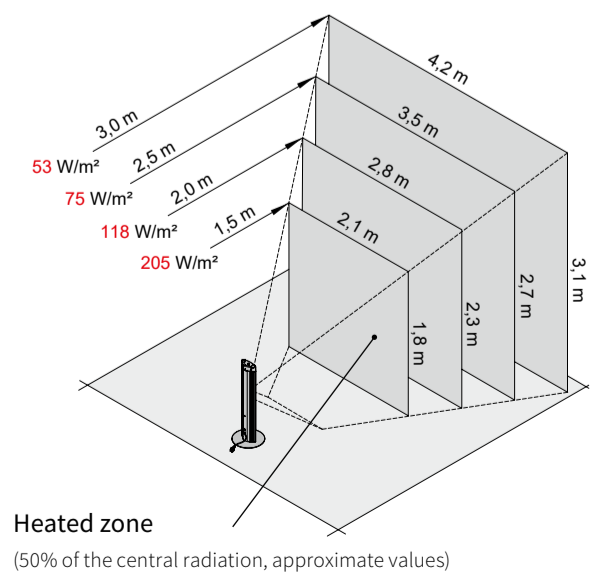
Heart-warming all round

markilux heaters offer an optimum of warmth with pleasant infrared heat at the touch of a button – for a comfortable outdoor living experience. They convert the energy used into a maximum of warmth, and that, of course, with the greatest efficiency.

- + Soft start function with reduced initial current surge
- + Safety power-off if the device tilts
- + Acoustic operating feedback
- + Protection class IP 24



Maximum infrared radiation intensity



Heated zone
(50% of the central radiation, approximate values)



Perfect drainage.

5

Automatically good

If desired, the front post of the markilux pergola and pergola compact can be motorised for better water drainage in rain and can be lowered between 20 and 40 cm depending on the awning size using a markilux remote control.

markilux pergola
motorised telescopic post

markilux 620
sundrive

Say no more: solar power

The integrated solar module with a powerful battery for operating the radio-controlled motor is available for the markilux 620 (138 cm to max. 250 x 300 cm (w x h)). The battery capacity amounts to just over two ampere hours which means that the vertical blind can be extended and retracted many times a day without the battery discharging too quickly. In difficult lighting conditions and narrow blinds, the solar module can be fitted separately in an external housing.





The best
under the sun.



The past meets the future. markilux over the years:



1976



1992

From 02.02.2020



1998



up to 2019



The best under the sun



Brand : New

Evolution becomes transparent – the new markilux brand design
markilux has changed and is evolving; it is successful and modern.
In future, this will be reflected in a new brand design.

It guarantees a high recognition factor, creates confidence and orientation.

Create the most alluring shade in the world.

INNOVATIONS
'20

7609671 - 02/2020 - We reserve the right to make technical modifications without giving prior notice. Colours may differ slightly from those depicted in both hue and finish.